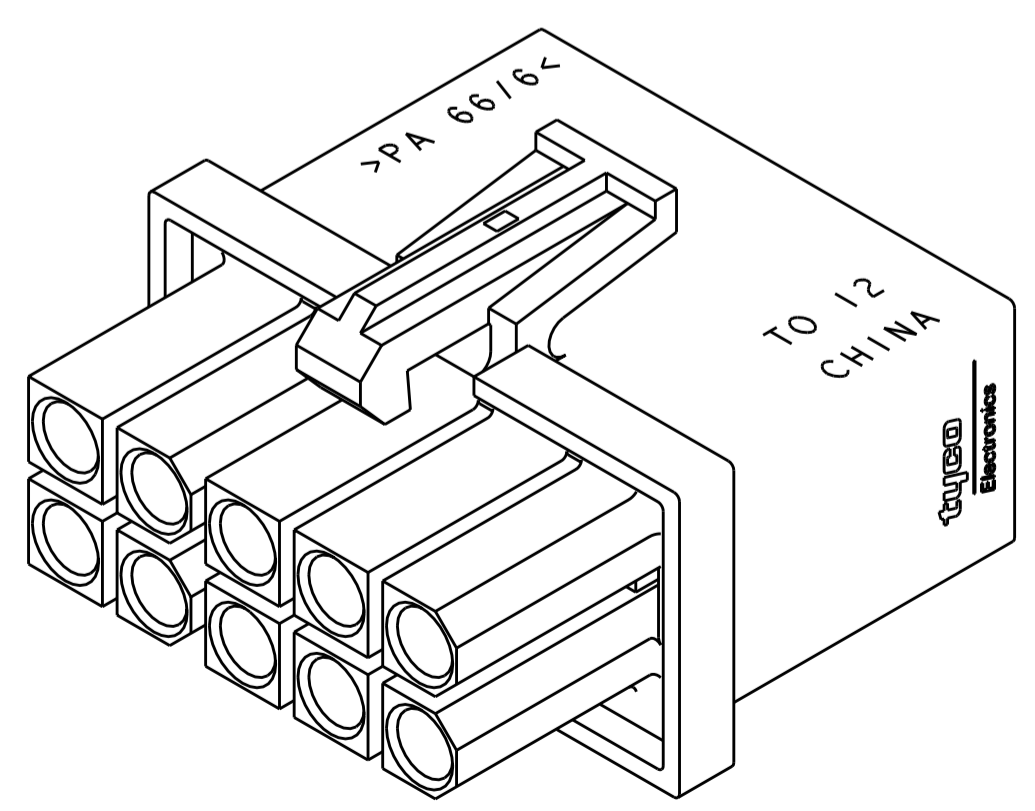
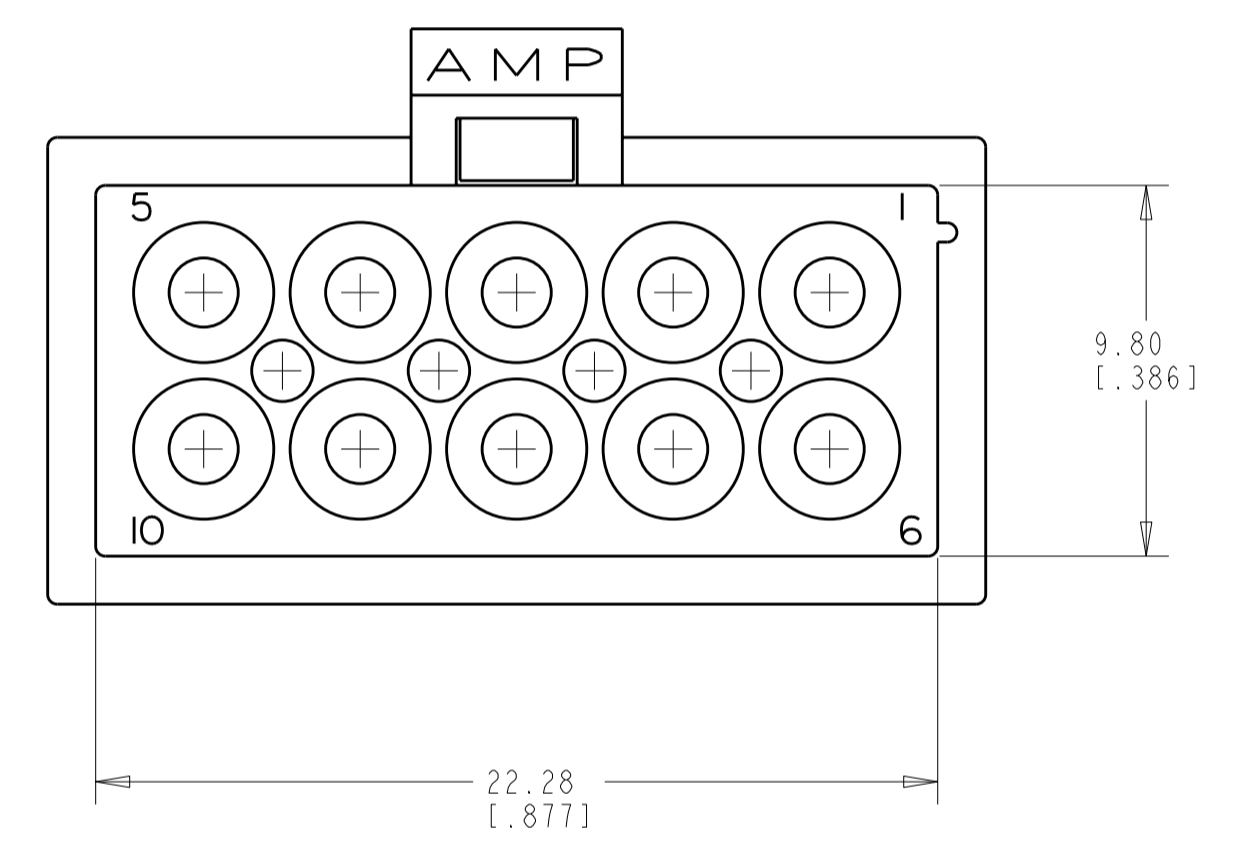
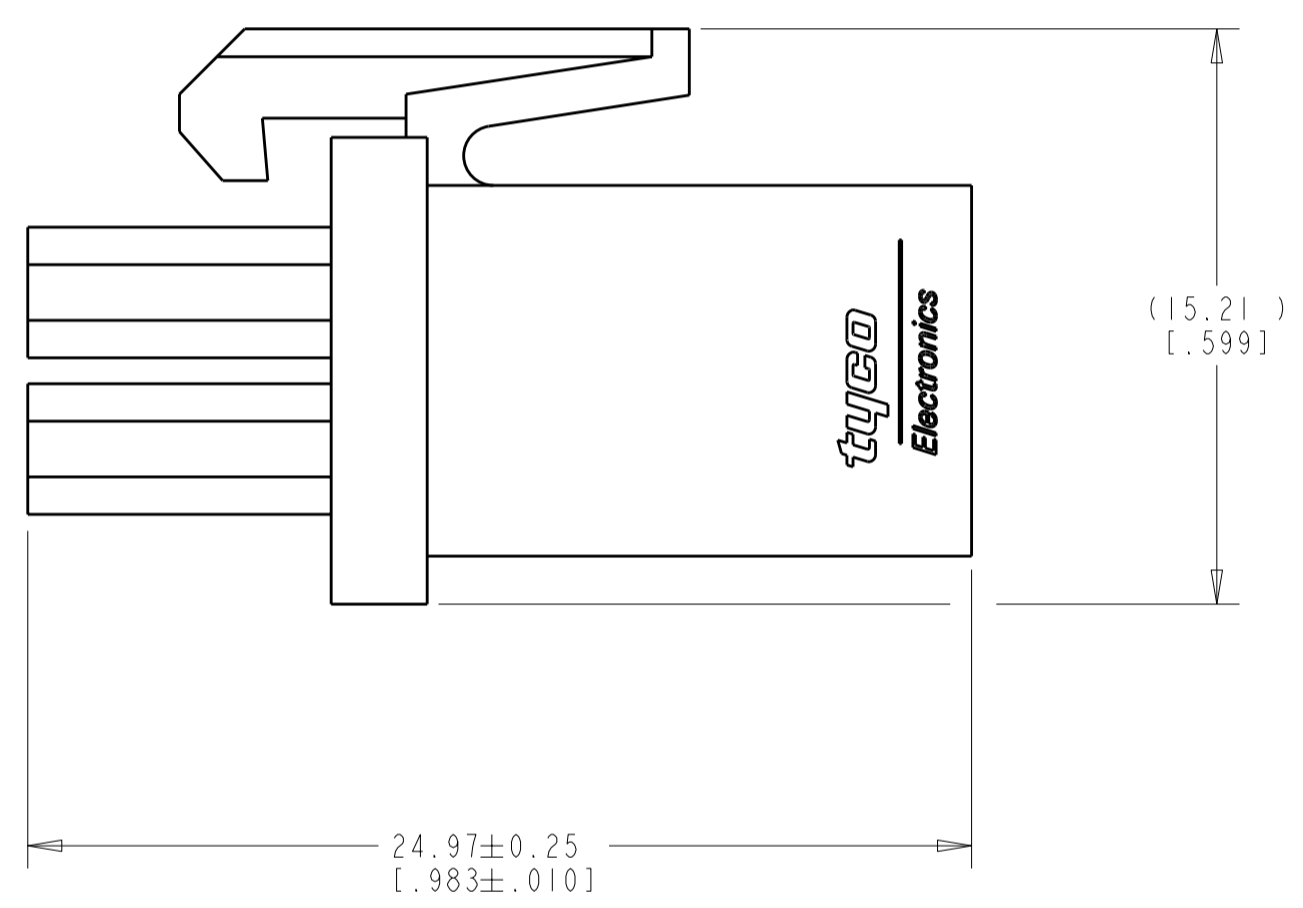
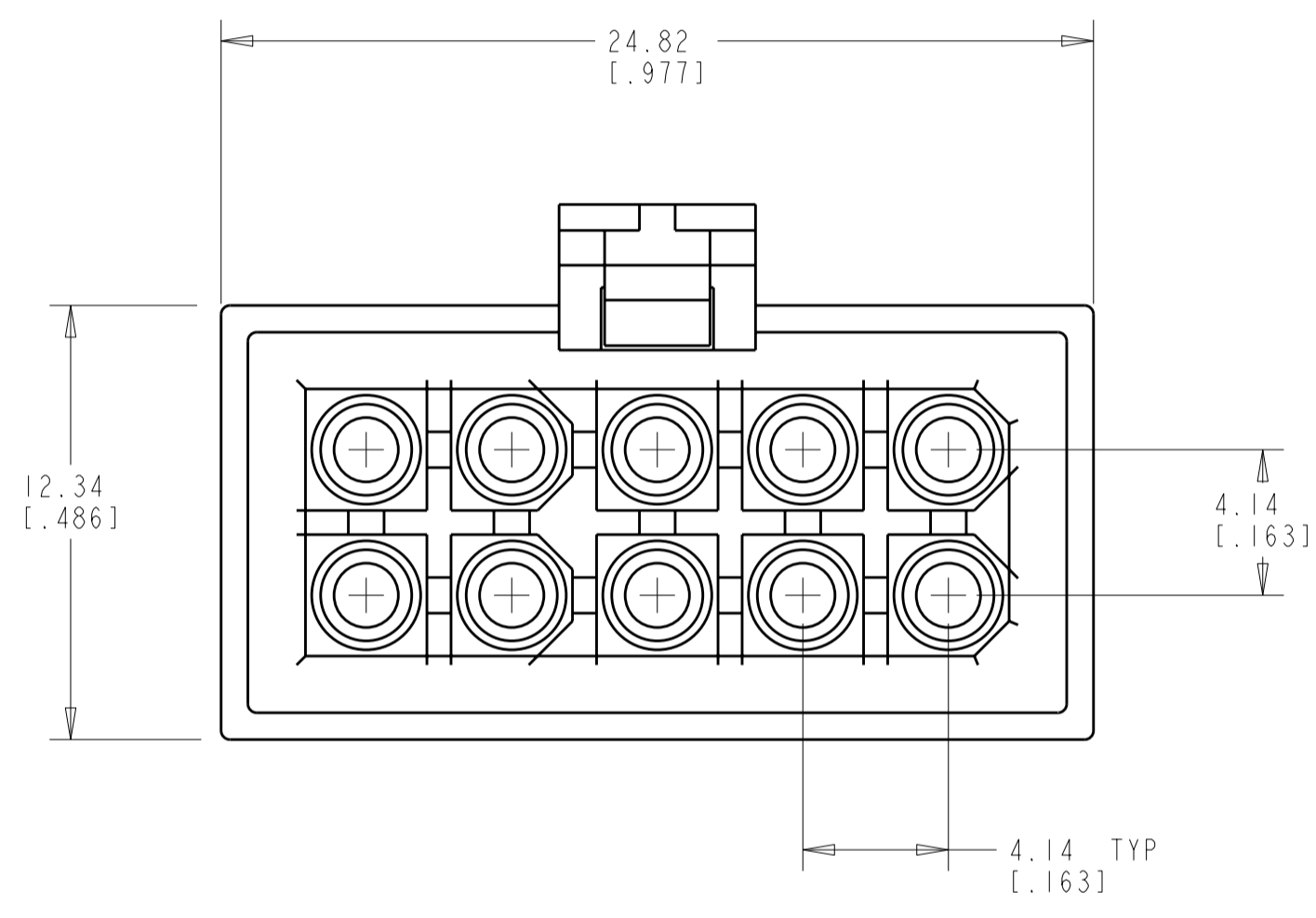


THIS DRAWING IS UNPUBLISHED. RELEASED FOR PUBLICATION 20
 © COPYRIGHT 20 BY TYCO ELECTRONICS CORPORATION. ALL RIGHTS RESERVED.

LOC	DIST	REVISIONS			
P	LTR	DESCRIPTION	DATE	DWN	APVD
CM	00	A	REVISED PER 063B-0251-04	22JUNE04	KW DC
		B	REVISED PER ECO-05-014359	21APR06	KW CJ

1. DIMENSIONS IN BRACKETS ARE IN INCHES.



3 DIMENSIONAL MODEL
SCALE 4:1

METRIC

<small>THIS DRAWING IS A CONTROLLED DOCUMENT FOR TYCO ELECTRONICS CORPORATION. IT IS SUBJECT TO CHANGE AND THE CONTROLLING ENGINEERING ORGANIZATION SHOULD BE CONTACTED FOR THE LATEST REVISION.</small>		DWN K. WHITAKER 10MAY2000 CHK K. COBLE 10MAY2000 APVD K. COBLE 10MAY2000	AMP Tyco Electronics Harrisburg, PA 17105-3608
DIMENSIONS: mm [INCHES]	TOLERANCES UNLESS OTHERWISE SPECIFIED: 0 PLC ±- 1 PLC ±- 2 PLC ±013 [.005] 3 PLC ±- 4 PLC ±- ANGLES ±0° 30'	PRODUCT SPEC APPLICATION SPEC WEIGHT CUSTOMER DRAWING	NAME PLUG, 10 CIRCUIT, MINI UNIVERSAL MATE-N-LOK(TM)
MATERIAL NYLON, UL94V-0, WHITE	FINISH -	SIZE A2 CAGE CODE 00779 DRAWING NO. C-794781	RESTRICTED TO SCALE 5:1 SHEET 1 OF 1 REV B

794781-1
PART NUMBER

794781